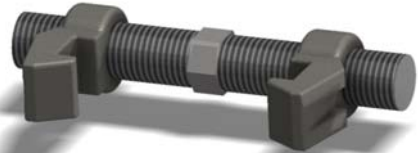


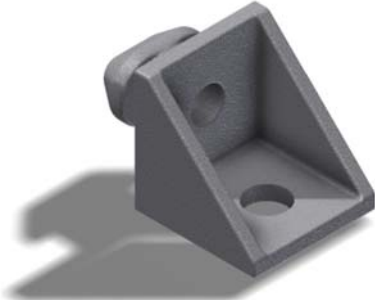
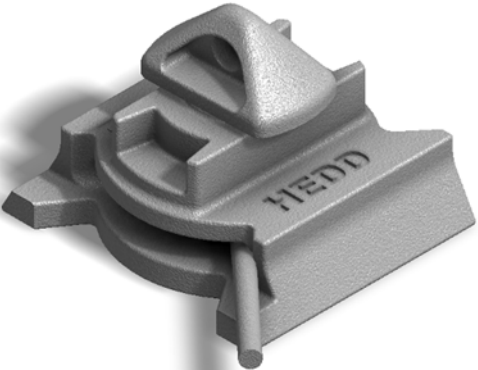
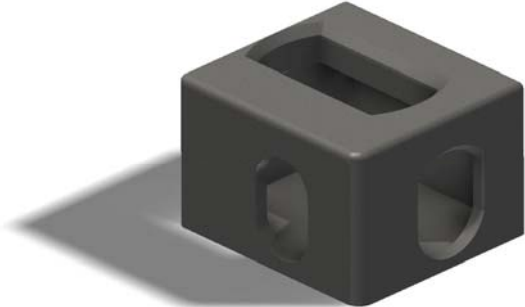
*Date: 04/08/16*

# Shipping Container Connections

**Parts Catalog**







## Vertical Container Connections



### **Double Ended Twist Lock**

Double Twist Locks are used to connect two containers together vertically.

Part Number: CHDTL



### **Semi Automatic Twist Lock**

Semi automatic Twist Locks can be pre loaded and will shut automatically when a container is placed on them. These twist locks are also rated and marked for a 10T lifting capacity.

Part Number: CHSATL



### **Fully Automatic Twist Lock**

Fully Automatic Twist Locks have a fully automatic locking / unlocking function when loading and unloading containers.

Part Number : CHFATL



### **Transverse Double Ended Twist Lock**

The transverse double ended twist lock allows the stacking of containers at 90° to each other.

Part Number : CH90DTL

## Horizontal Container Connections



### **Bridge Clamp**

Bridge Clamps are used to clamp containers together horizontally.

Part Number : CHBC1

---



### **Horizontal Twist Lock**

Horizontal twist locks are used to connect containers together horizontally.

Part Number : CHHTL

---



### **Twist Lock 2 Way Joiner**

Twist lock 2 Way joiners are used to connect two double stacked containers together horizontally where you may not be able to get a Bridge Clamp in place. They are used in conjunction with the CHDTL.

Part Number : CHTL2WJ

---



### **Twist Lock 4 Way Joiner**

Twist lock 4 Way joiners are used to connect four double stacked containers together horizontally where you can not get a Bridge Clamp in place. They are used in conjunction with the CHDTL.

Part Number: CHTL4WJ

To Order Call: 0402 566 834 or  
e-mail [sales@containerhoardings.com.au](mailto:sales@containerhoardings.com.au)

## Container Transport Connections



### **Truck Twist Lock—Short Handle**

Designed to be installed in a truck or trailer bed to allow connection of shipping containers

Part Number: CHTTL-SH

---

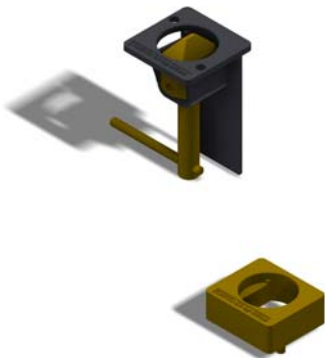


### **Truck Twist Lock—Long Handle**

Designed to be installed in a truck or trailer bed with higher than normal side rails or strap rails

Part Number: CHTTL-LH

---



### **Truck Twist Lock—Long Pin**

Designed to be installed in a truck or trailer bed with raised side rails .

Part Number : CHTTL-LP

---



### **Truck Twist Lock—Tilt Tray**

Designed to be installed in tilt tray truck beds where the twist lock needs to be lowered while the container is still on the truck.

Part Number : CHTTL-TT

## Structural Connections



### **Weldable Twist Lock**

Can be welded to any structure to allow shipping container connection

Part Number : CHWTL

---



### **Transverse Weldable Twist Lock**

Has the locking head 90 degrees compared to the standard Weldable Twist Lock

Part Number: CHTWTL

---



### **Weldable Cone**

The weldable cone is a non locking device used for horizontal container location.

Part Number : CHWC

---



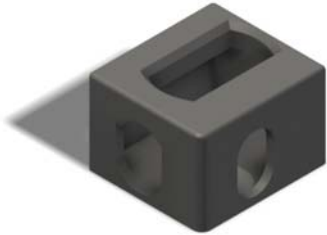
### **Boltable Twist Lock**

Can be bolted to any structure to allow shipping container connection

Part Number: CHBTL

To Order Call: 0402 566 834 or  
e-mail [sales@containerhoardings.com.au](mailto:sales@containerhoardings.com.au)

## Container Connections



### Corner Casting

Corner Castings are the generic items used to allow connection of shipping

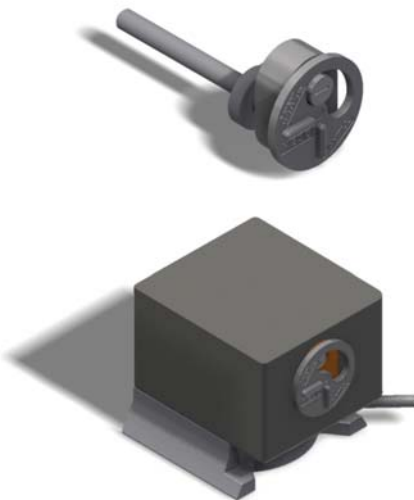
Part Numbers:

Top: CHCCTL, CHCCTR

Bottom: CHCCBL, CHCCBR

---

## Container Security



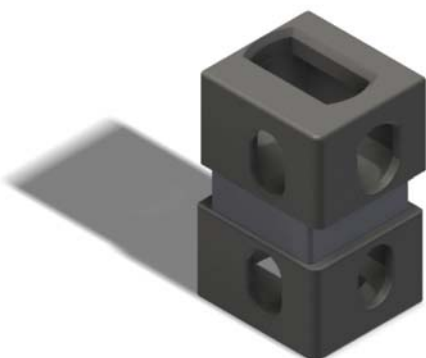
### Total Container Lock

This lock is the ultimate level of security for your shipping container, it stops anyone from stealing your container even if they have a crane, side loader or hyab. The security of your container is assured once these units are installed.

Part Number: CHTLL

---

## Container Spacing



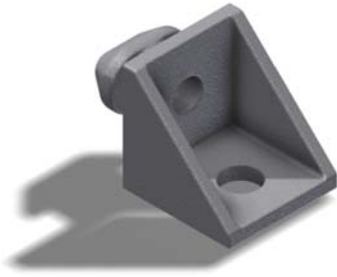
### Container Spacer

Allows you to safely create a space between you container vertically

Part Number: CHCS1



## Container Footing Connections

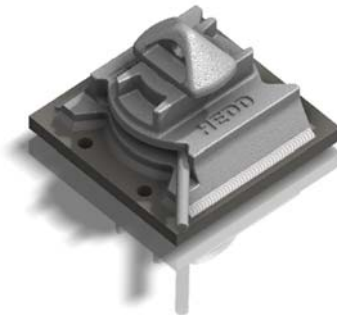


### **Side Twist Lock**

Allows your container to be bolted to a slab or footing without the need to move the container

Part Number: CHSTL

---



### **Boltable Twist Lock**

Allows your container to be bolted to footing either using embedments or retrofitted anchor bolts

Part Number: CHBTL

---



### **Twist Lock Footing Posts**

A cast in post allowing a shipping container to be connected to a concrete footing at a specified height above the ground

Part Number: CHBTL + CHFP1

**To Order Call: 0402 566 834 or  
e-mail [sales@containerhoardings.com.au](mailto:sales@containerhoardings.com.au)**

## Shipping Container Connections

### Who are we:

We are the largest specialized supplier of shipping container connection devices to the Australian market

### Where are we:

We have three outlets being Sydney, Adelaide and Perth but can (and do) deliver anywhere in Australia generally within 2-3 working days

### Contact us:

We are contactable via phone or e-mail, if we don't know the answer our engineering team will.

#### Sydney Office

147 Prince Edward Park Rd  
Woronora NSW 2232  
Tel: 0402 566 834  
Fax: 02 9542 6072  
Email: [sales@containerhoardings.com.au](mailto:sales@containerhoardings.com.au)

#### Perth Office

93 Orange Valley Road  
Kalamunda WA 6076  
Tel: (08) 9257 2170  
Email: [perth@containerhoardings.com.au](mailto:perth@containerhoardings.com.au)

#### Adelaide Office

30 Magazine Road  
Dry Creek SA 5094  
Tel: 0425 276 837  
Email: [adelaide@containerhoardings.com.au](mailto:adelaide@containerhoardings.com.au)



**QUANTITY**  
**DISCOUNTS**



**We offer discounts when buying in bulk direct from our factory, ask for a quote today.**



**Hardie Engineering Design and Development  
T/A Container Hoardings**

PO Box 1259,  
Sutherland NSW 1499  
ABN 97 218 060 468

Phone: (02) 9542 6072 Mobile: 0402 566 834  
Fax: (02) 9542 6072  
E-mail: [sales@containerhoardings.com.au](mailto:sales@containerhoardings.com.au)