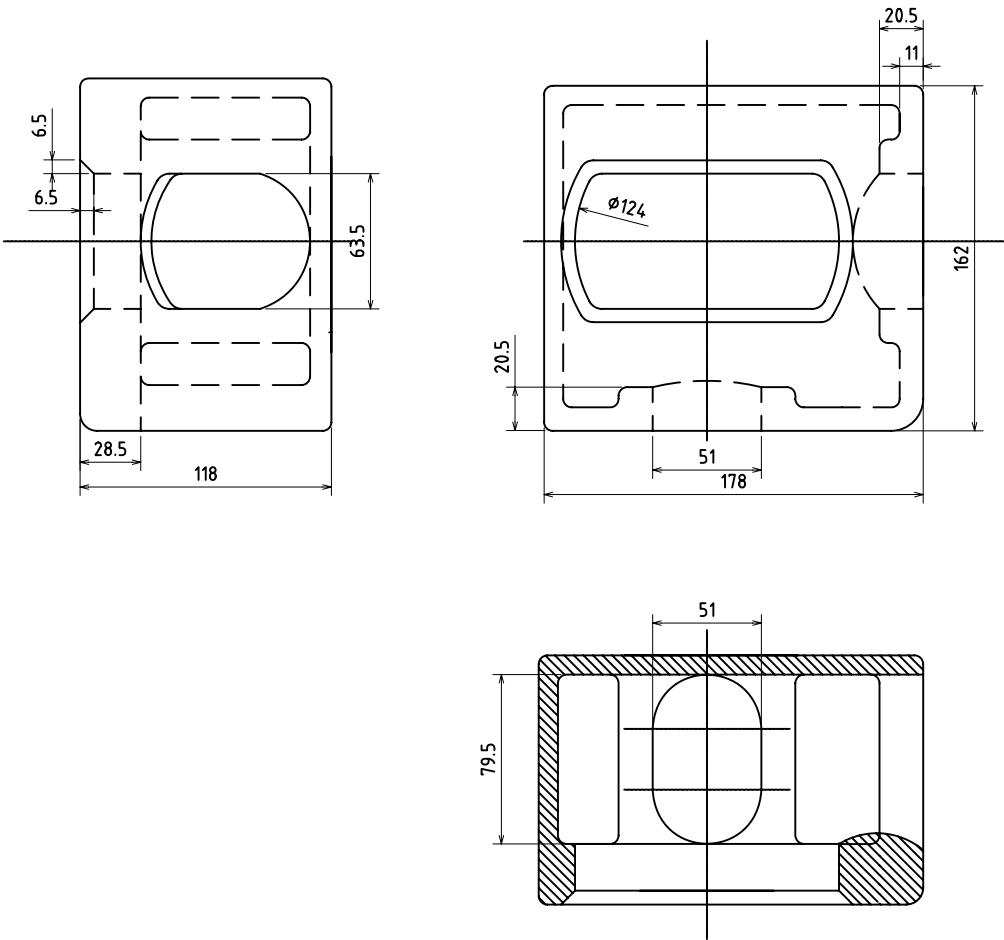


Container corner

TYPE:DA-E1/L



Material: -

Finish: Paint

Weight:

M.B.L:Tension: ISO 1161

M.B.L:Shear: -

M.B.L:Compression: -